

SOLVENT CLEANER UNIT



Exhaust station for cleaning agent and other process media



1000 m³/h

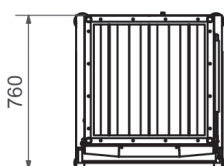
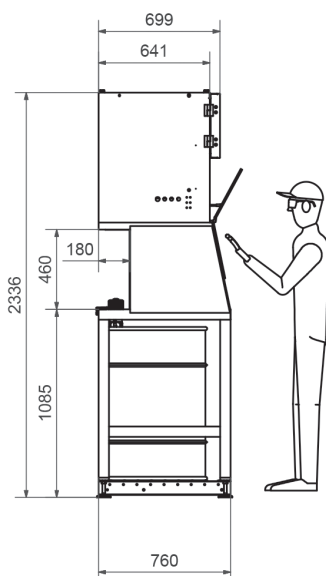
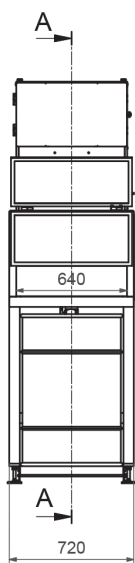
2000 m³/h

MADE
IN
GERMANY

EXPERTISE IN FILTERS
SINCE 1992



TECHNICAL DATA



GT[®] 10/20SC

| | | |
|--|-----------------------------|-----------------------------|
| Nominal volume flow | 1000 m³/h | 2000 m³/h |
| Power kW max. | 0,5 | 2,2 |
| Drive type | regulated | regulated |
| Connection V Hz phases | 200/277 50/60 1 | 380/480 50/60 3 |
| L x W x H mm | 720 x 760 x 2340 | 720 x 760 x 2340 |
| Weight kg | approx. 210 | approx. 220 |
| Filling volume active carbon l | approx. 53 | approx. 53 |
| Barrel volume | max. 200 l | max. 200 l |
| Pre-filter wire mesh | inclusive | inclusive |
| Foldable safety pane (VSG) | inclusive | inclusive |
| EC fan (energy efficient) | inclusive | inclusive |
| LED lighting (energy efficient) | inclusive | inclusive |
| Barrel pump incl. foot pedal | optional | optional |
| Exhaust pipe (suitable for 200 l barrel) | optional | optional |
| Cleaning brush | optional | optional |
| Roller conveyor for barrel handling | optional | optional |

regulated without additional FC

Filtration efficiency depends on type of medium, type of utilized active carbon, flow velocity and saturation of active carbon.